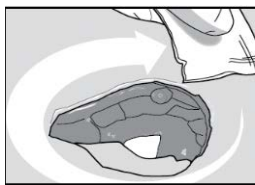
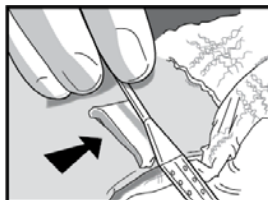


# NPWT GAUZE INSTRUCTIONS



**Step 1**  
Cleanse wound bed and pat dry per protocol



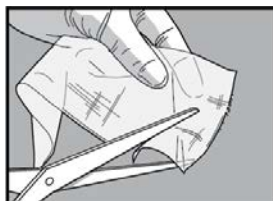
**Step 6**  
Apply part of ostomy strip paste to wound edge to secure drain in position.



Place remainder over top of drain and pinch in place.



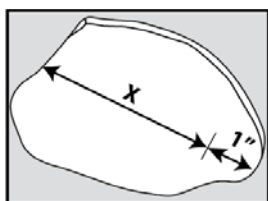
**Step 2**  
Apply skin sealant to periwound area



**Step 3**  
Trim single layer of non-adherent gauze and lay across wound bed.



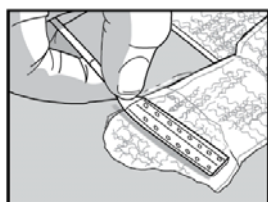
**Step 7**  
Lay saline-moistened antimicrobial gauze over drain and fill wound. Gauze should loosely fill to surface of wound. Avoid over packing.



**Step 4**  
Cut the drain approximately 1" (2.5 cm) shorter than the base of the wound.  
Curl the drain if using a channel or round drain.



**Step 8**  
Place transparent dressing over the wound and seal.



**Step 5**  
Apply layer of saline-moistened antimicrobial gauze to wound bed. Position drain on top of gauze.



**Step 9**  
Create a seal by pinching the strip paste.



For channel drain, wrap layer of gauze around drain.

**NOTE:** If placing channel drain directly into a sinus track, no gauze is necessary on the portion of the drain in the track.

**CAUTION:** It is critical that the gauze is moistened with normal saline prior to filling the wound.



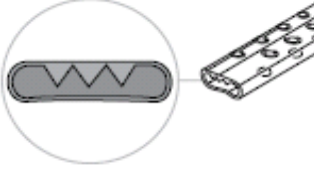
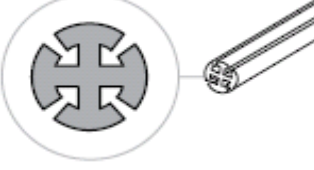
**Step 10**  
Secure the drain tubing with waterproof tape.

Connect the drain to the suction tubing using the conical connector. Connect suction tubing to the Negative Pressure Wound Therapy System



**Finished Dressing**  
Will have a "raisin-like" appearance and be firm to the touch.

## Negative Pressure Wound Therapy Gauze Kits

Kit Name		Description
Medium flat drain		<p>Multipurpose standard</p> <p>Shallow or deep wounds</p> <p>Non-weight bearing wounds</p> <p>Light to heavy drainage without sediment</p>
Channel drain		<p>Non-hollow, non-perforated design</p> <p>Medium depth wounds</p> <p>Weight bearing wounds</p> <p>Light to moderate drainage</p> <p>Fistulas</p> <p>Can be inserted into tunnels and curled into undermining space</p>

